

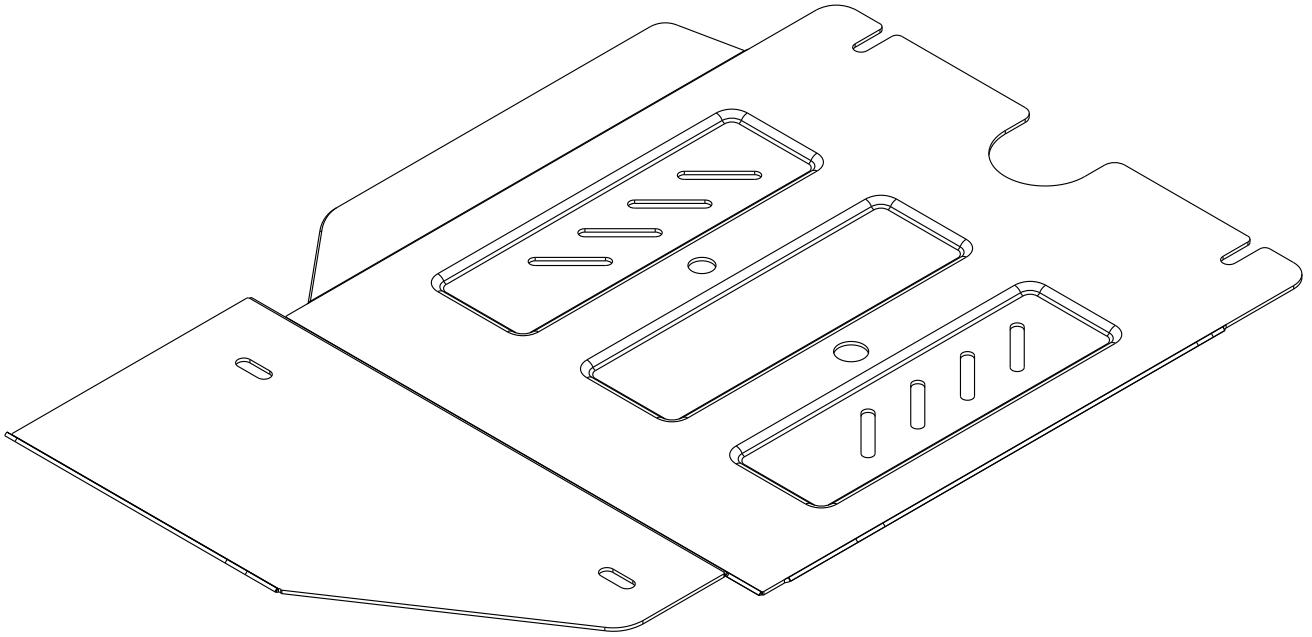
Installation instructions for PZ4AL-01159-00
Under Run Protective Shield Transmission Case and Transfer Box

TOYOTA Hilux



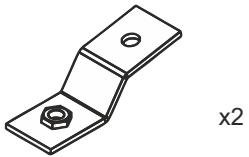
Model Year:	2006-2010-
Vehicle Code:	KUN25L-DRMDHW KUN25L-DRMSHW KUN25L-PRMSHW
Part Number:	PZ4AL-01159-00
 Weight:	10,6 kg
 Installation Time:	20 min
Manual reference number:	AIM 001 428-0

A

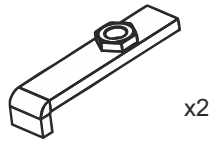


PZ4AL-01159-60

B



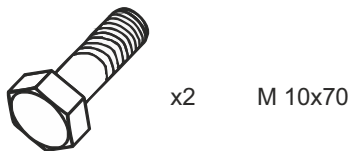
C



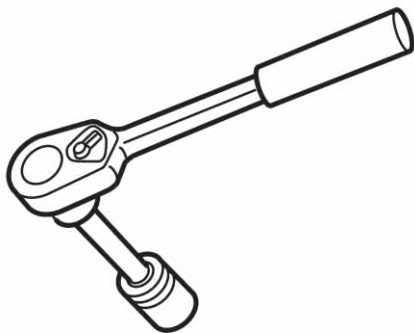
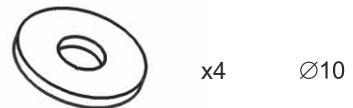
D1



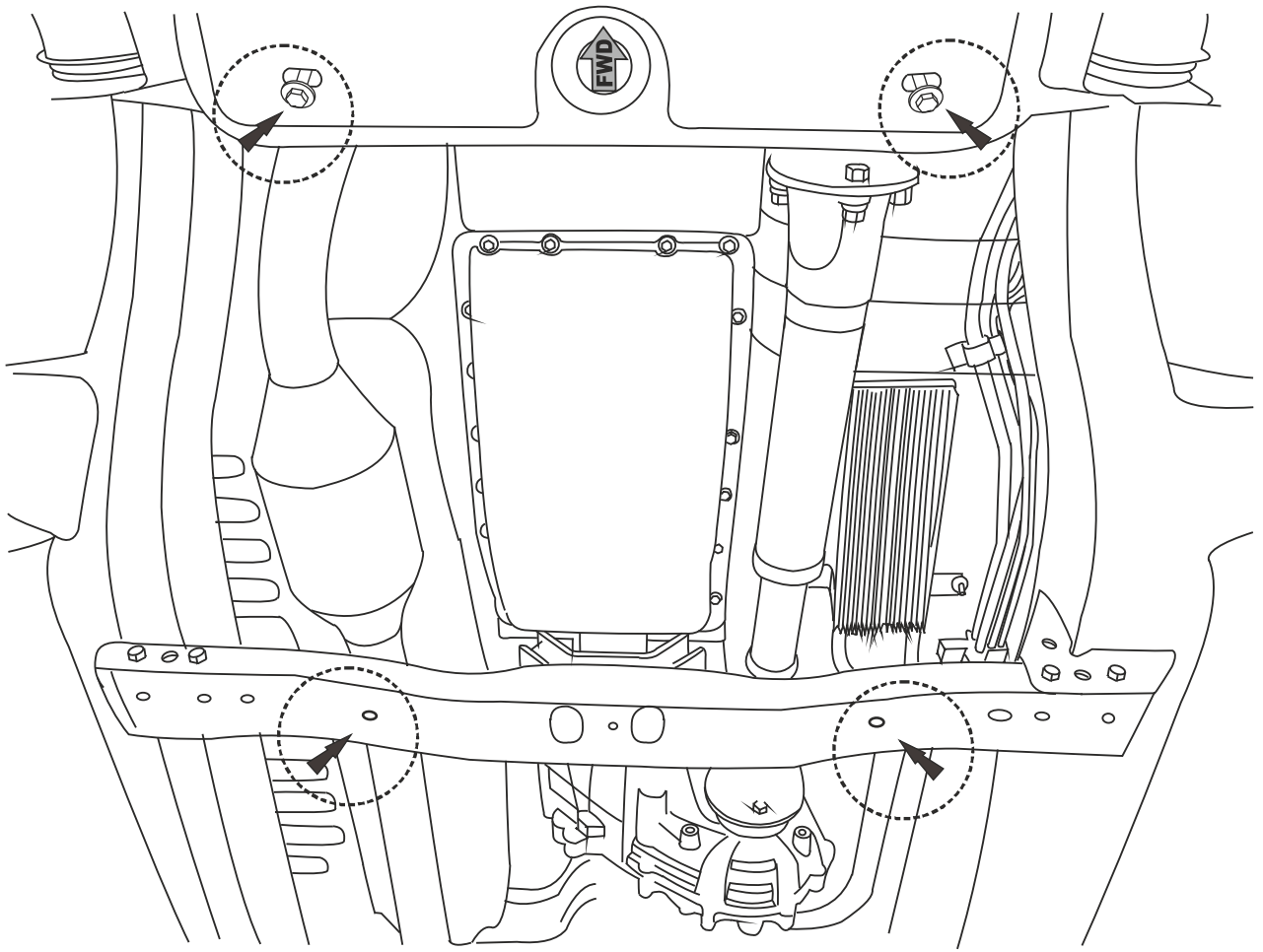
D2



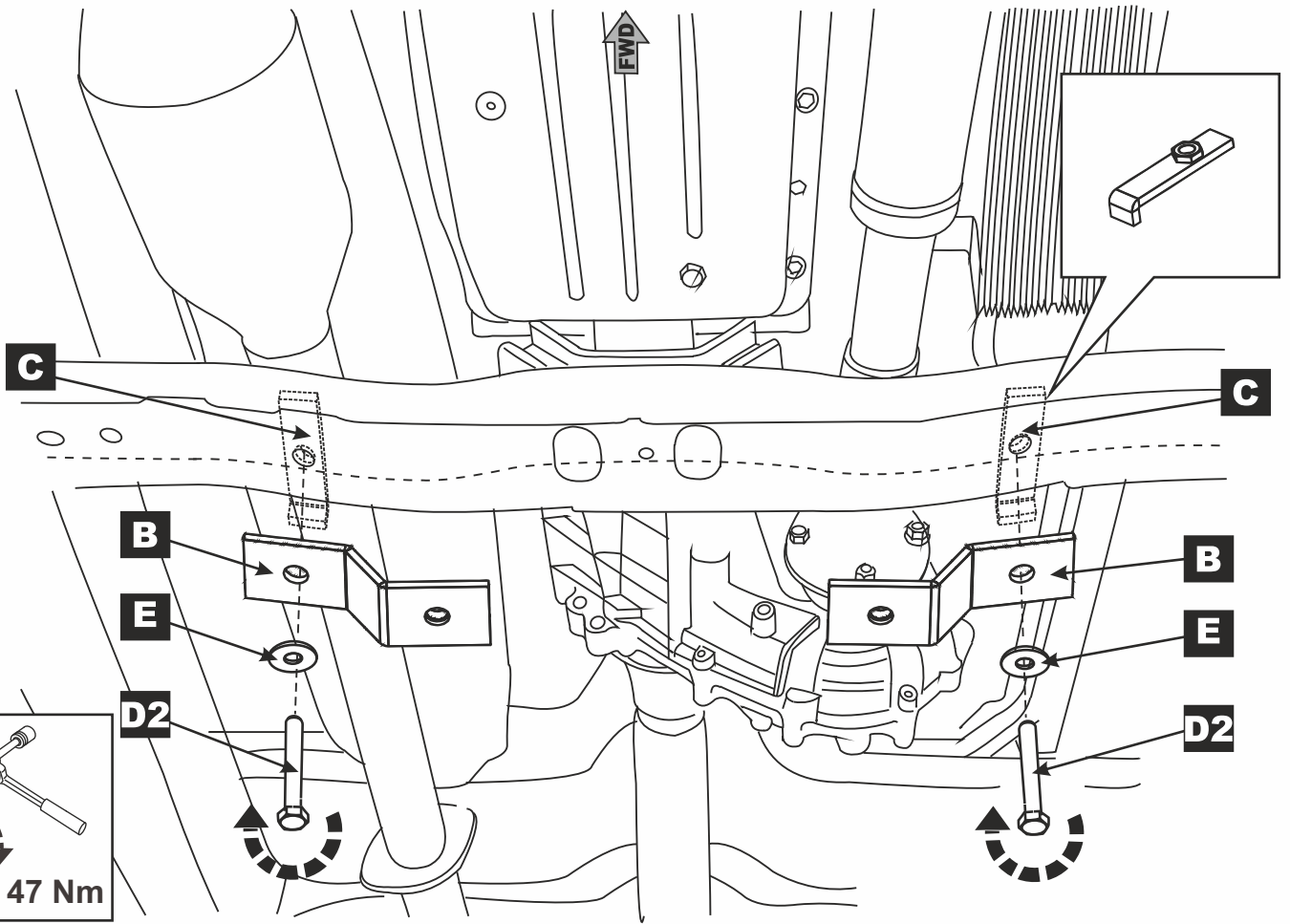
E



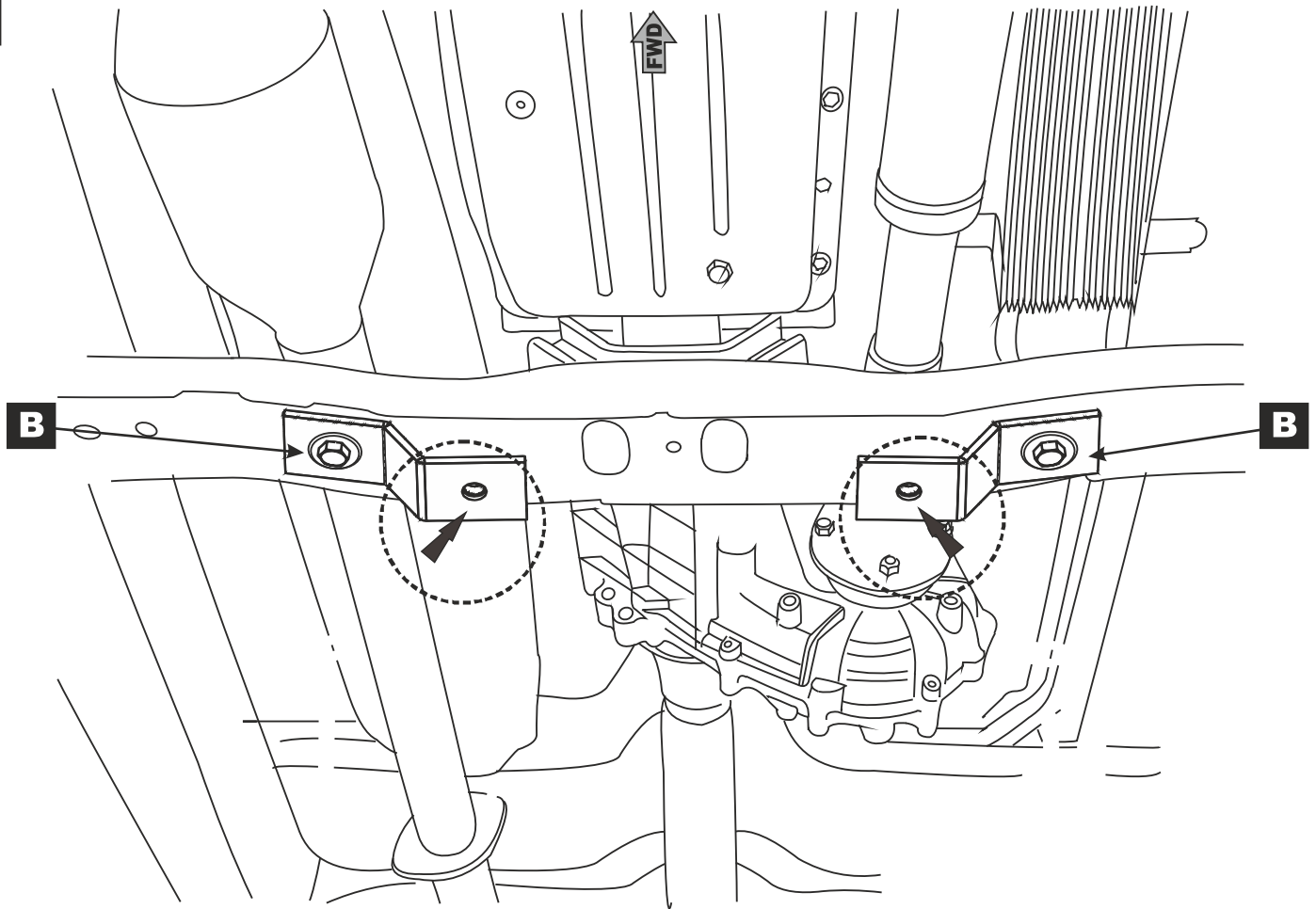
1



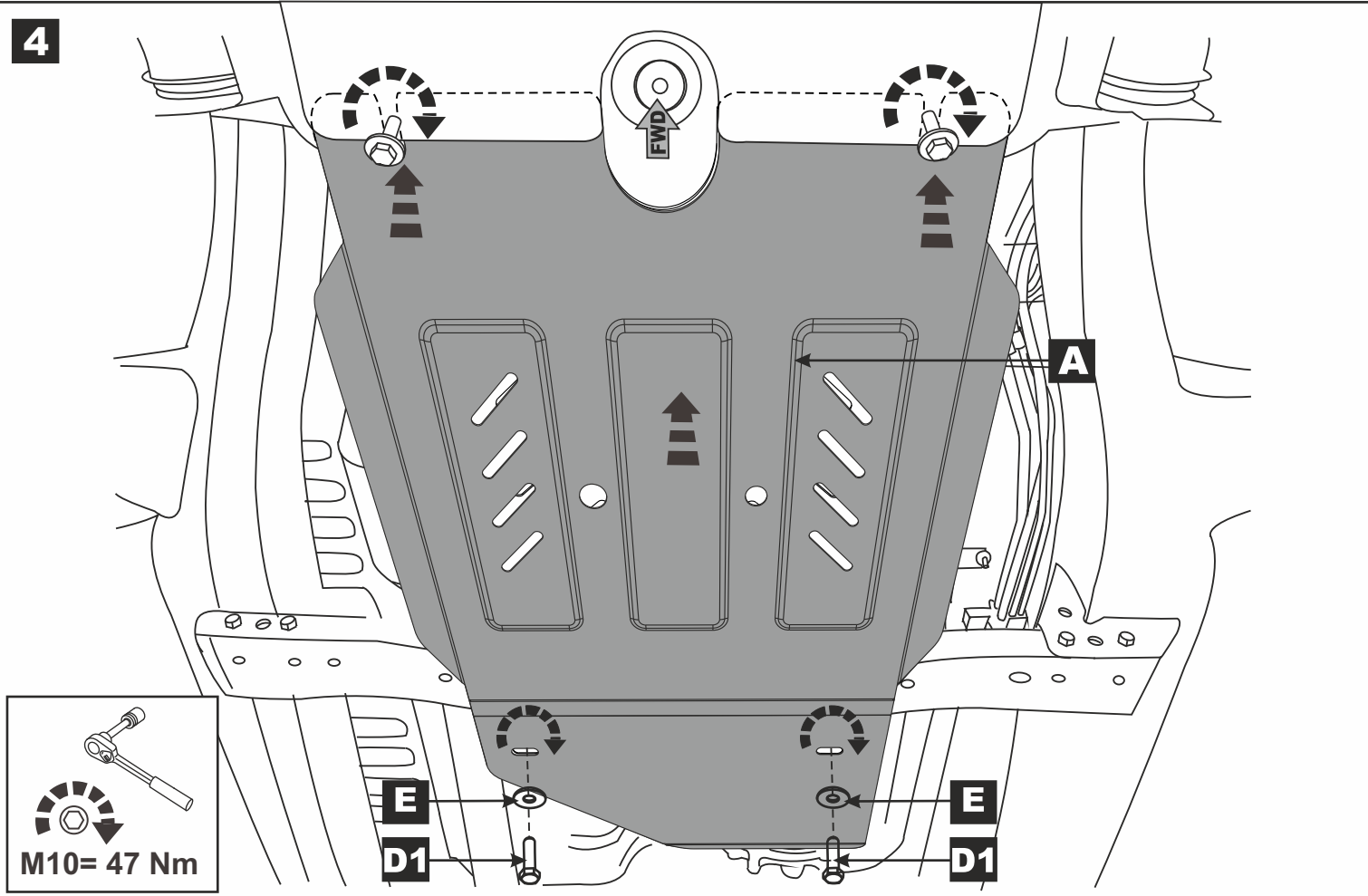
2

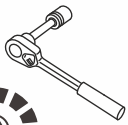



3



4





M10= 47 Nm

5

